

Dirivent jet nozzles CVAA and CVAB



AIRTREND Ltd.
Predstavništvo u Beogradu
Kumanovska 14
11000 Beograd
Tel: 011 3836886, 3085740
Faks: 011 3444113
e-mail: gobrid@eunet.rs
web: www.airtrend.rs

FläktWoods

Use

CVAA and CVAB jet nozzles are part of the Dirivent system for retail and industrial premises.

Design

Jet nozzles are available in two versions: fixed and adjustable (only CVAA). Adjustable nozzles are equipped with a connection piece that allows the nozzle to be set to any desired angle.

Material

CVAA nozzles are made of hot-dip galvanised steel sheet. The material of connection pieces is flexible aluminium duct.

CVAB nozzles are made of rubber and can be easily cut to the desired length.

The Dirivent system

The Dirivent system is a combination of ducts and nozzles that transport and direct the supply air to the right place both horizontally and vertically. Due to the efficiency of the Dirivent system, the amount of air can be minimised.

The high pressure loss of the nozzles provides the ductwork with a good balance and thus allows comprehensive demand-controlled ventilation.

Installation

Dirivent jet nozzle is mounted on the duct fitting. Installation has to be secured with rivets or screws.

Product code

Jet nozzle CVA(A,B) - aaa - b

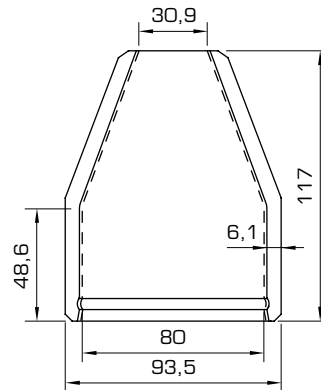
Material _____
A = hot galvanized steel
B = rubber/plastic

Size (cm) _____
008

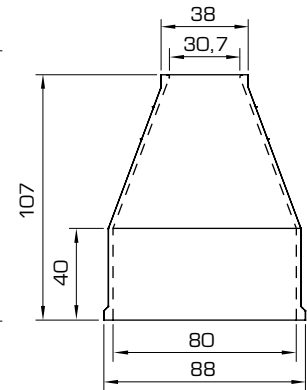
Model _____
1 = fixed
2 = adjustable (only CVAA)

Dimensions

CVAA-008-1



CVAB-008-1



CVAA-008-2

